

# Steelforce Pro 371 SLS 90° + XL

## Single step, sit-stand, height electrically adjustable

Height (mm)	min. 690 / max. 1180
Stroke (mm)	490
Speed (mm/s)	39
Width main unit (mm)	min. 1100 / max. 1700
Width ancillary unit Standard (mm)	min. 1050 / max. 1250
Width ancillary unit XL version (mm)	min. 1450 / max. 1650
Length of feet (mm)	750
Column size (mm)	70 x 70
Dynamic capacity (kg)	150
Noise dB(A)	<55
Power	V 220 - 240
Plug type	Replaceable
Gross Weight Standard (kg)	49
Gross Weight XL version (kg)	50

Legs, feet, top supports and crossbars made of powder-coated steel.  
Soft start & stop function.  
Spindle lifting system and low energy consumption.

## Surface colour

Pure Silver	●
Traffic White	○
Jet Black	●

## Packing dimension single unit

Box 1. 945 x 275 x 168 (LxWxH - mm)  
Box 2. 945 x 275 x 168 (LxWxH - mm)

## Packing dimension pallet

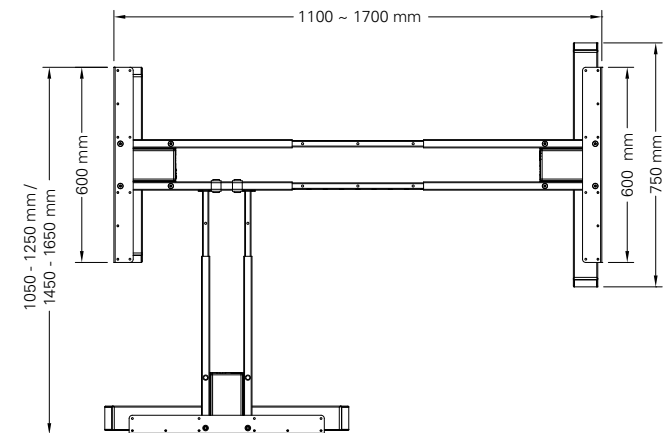
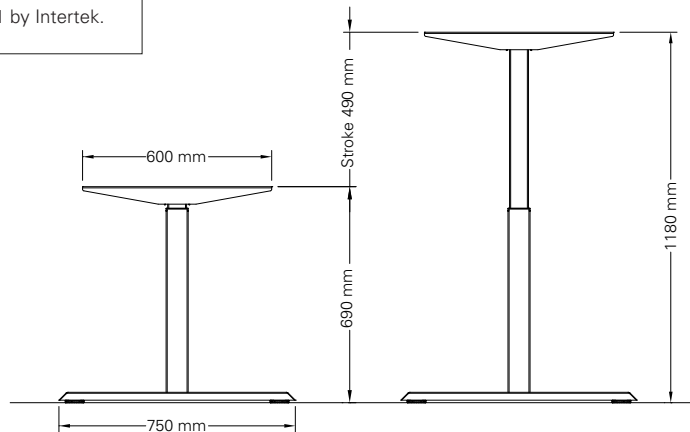
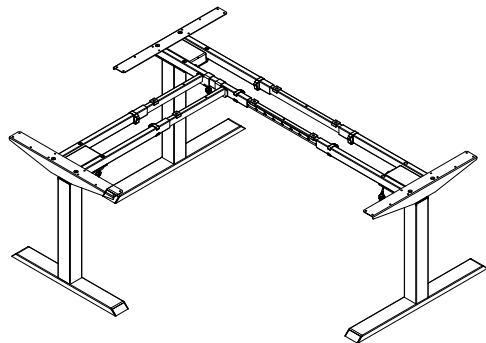
1140 x 1130 x 1140 (LxWxH - mm) (12 frames)

## Accessories

Please see the accessories section to personalise your height adjustable frame.



Tested according to IEC 60335-1 by Intertek.



actiforce